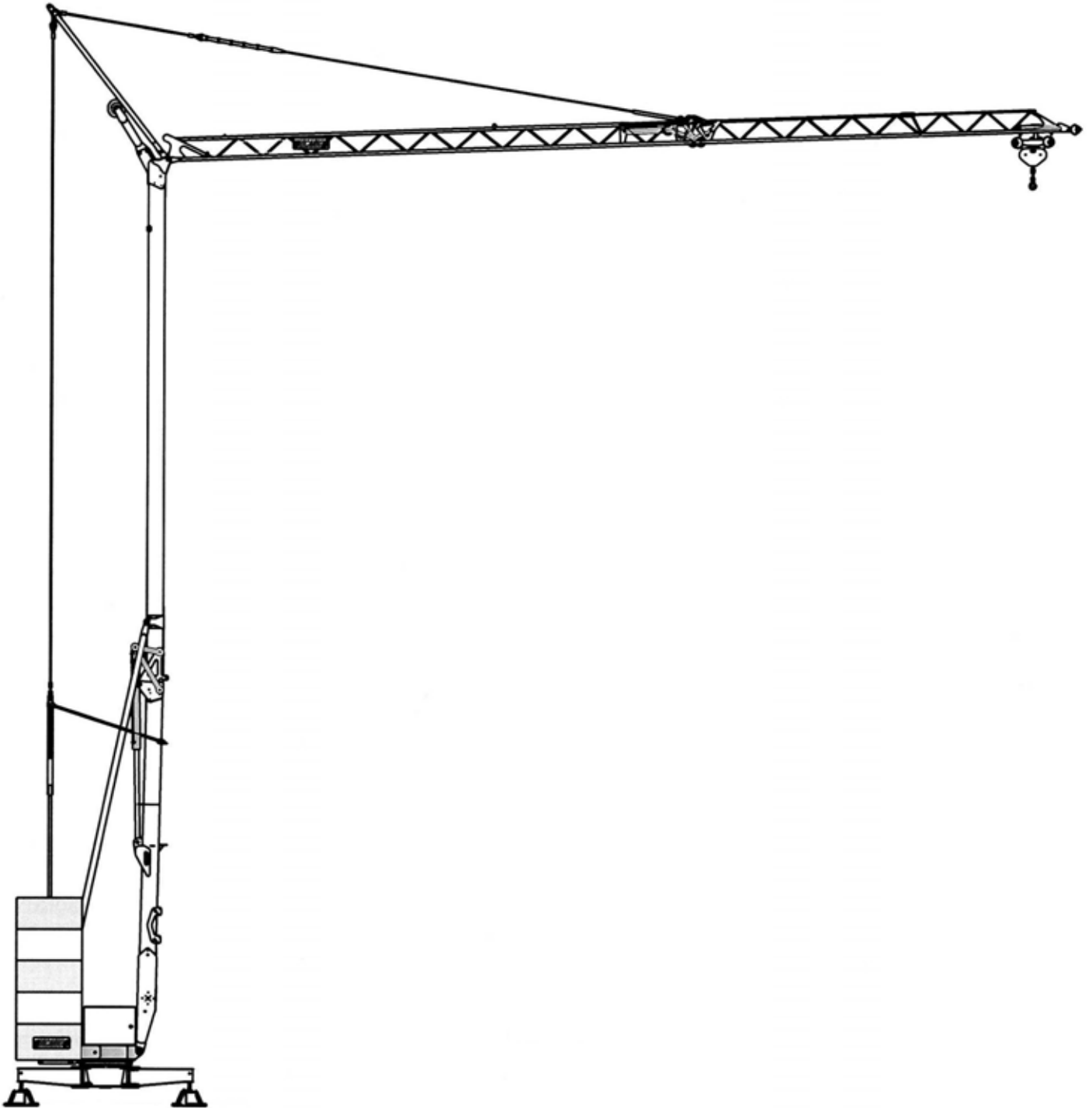
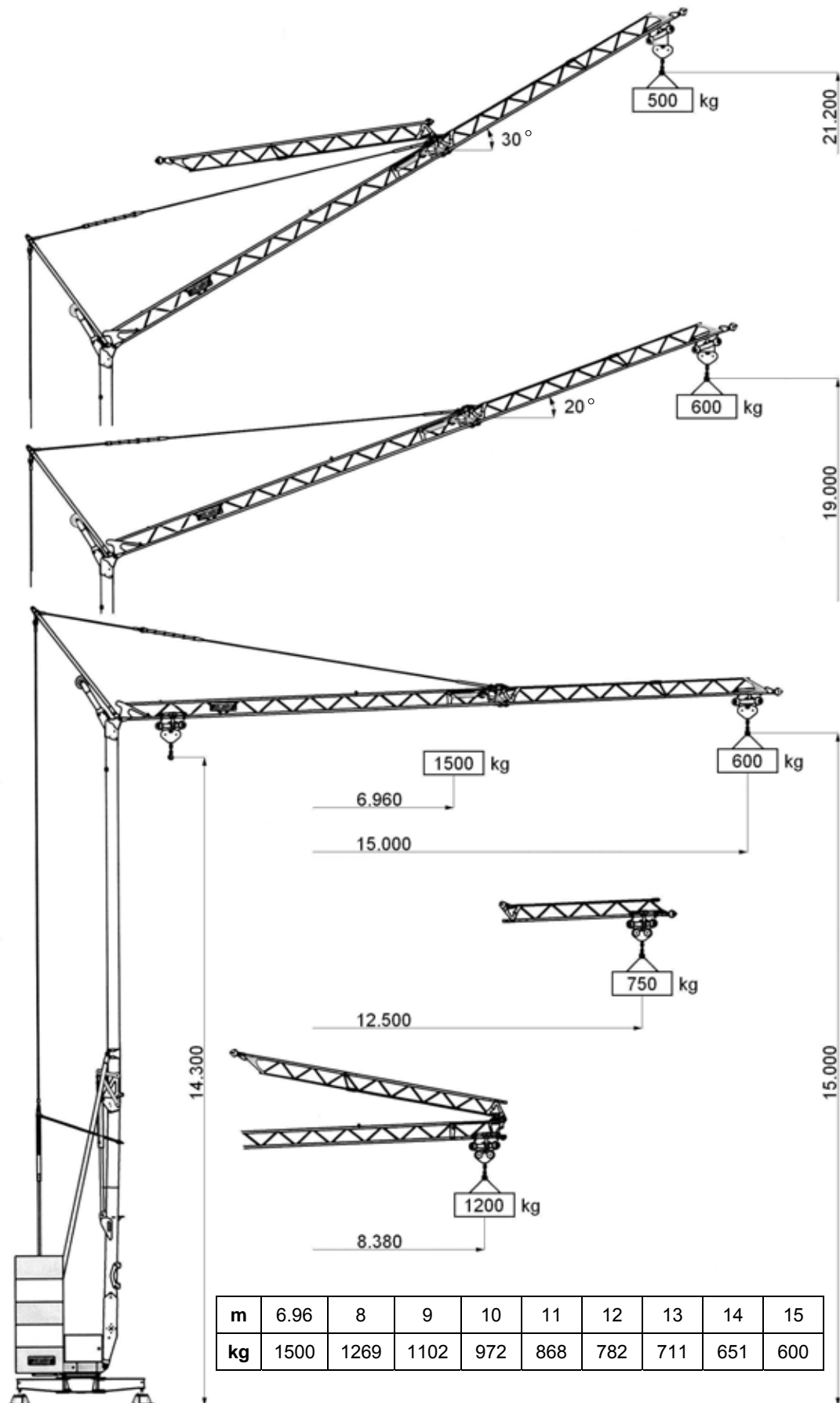


VANSON VC 15


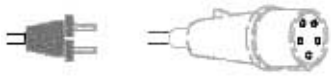
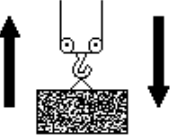
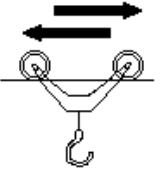
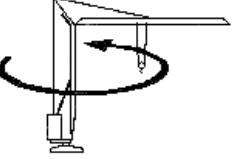


Hydraulic Self-Erecting Crane

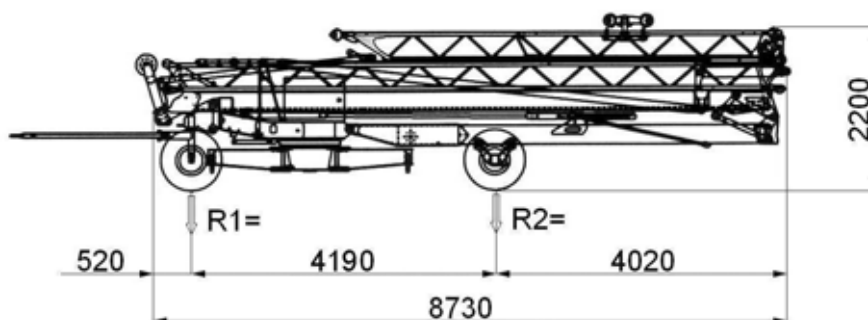
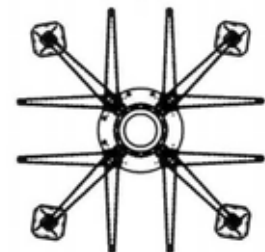
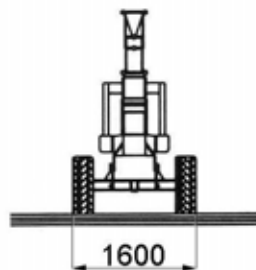
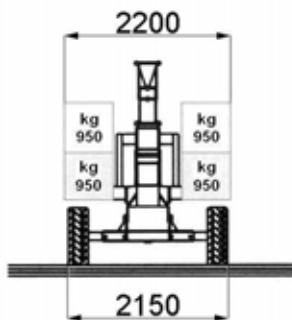
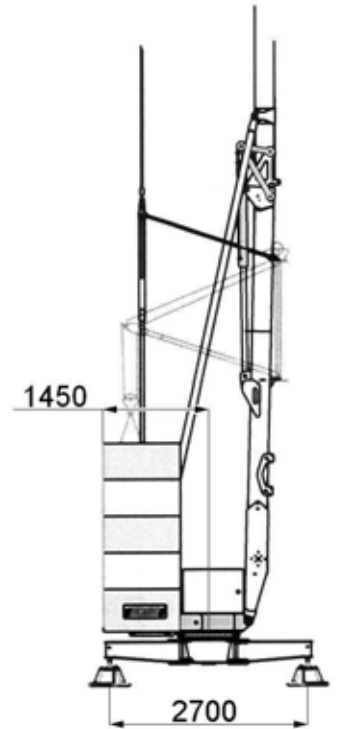


VANSON VC 15

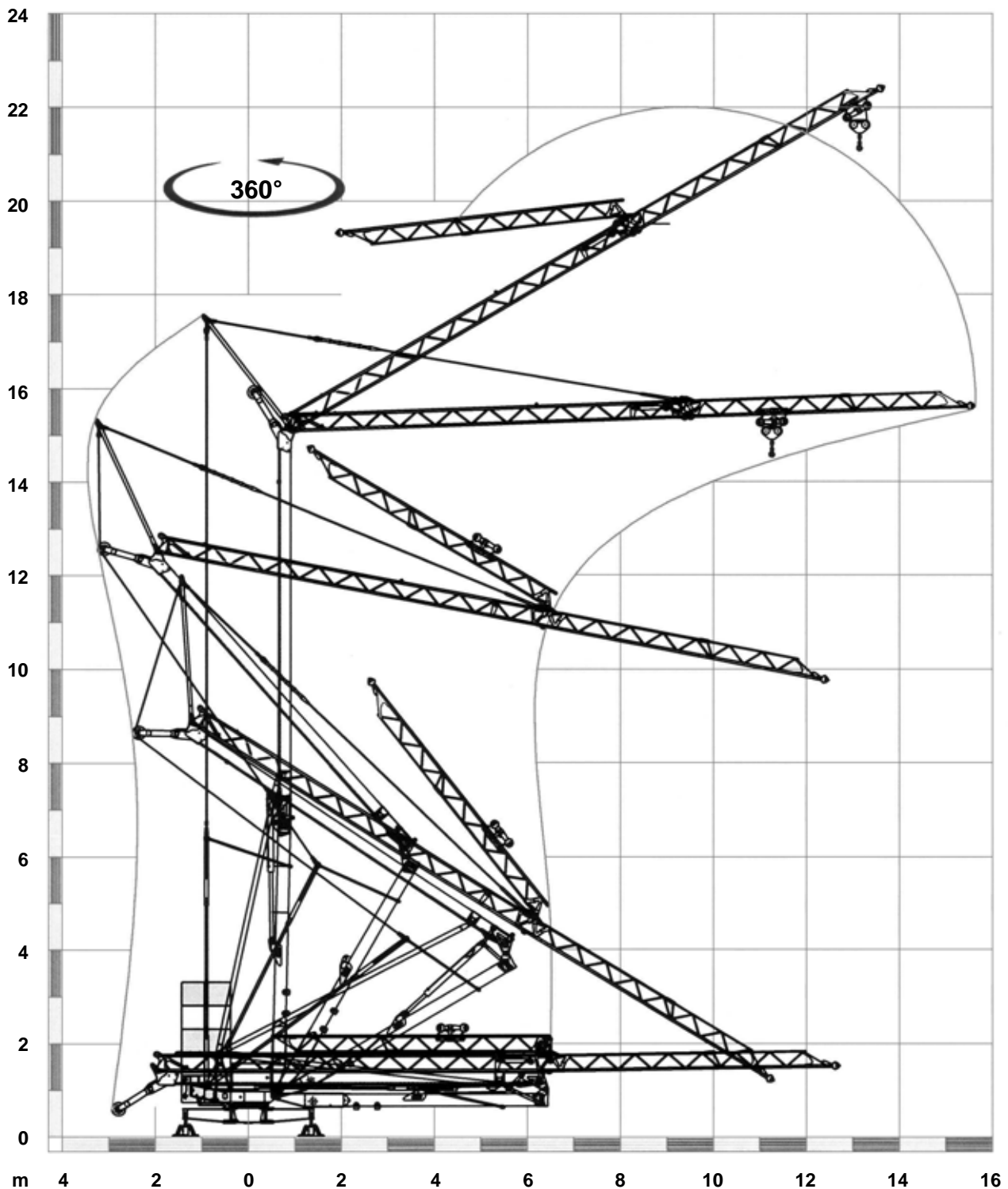


VANSON VC 15

| | | | | | | |
|--|--|-------|------|------|--------|------|
|  50 Hz V + 6% - 10% |  230V - 3kVA | | | | | |
|  m/l' kg kW | ▶ | | ▶▶ | | ▶▶▶ | |
| | 6.5 ↑ | 6.5 ↓ | 13 ↑ | 13 ↓ | 23.5 ↑ | 34 ↓ |
| | 1200 | | 1200 | | 600 | |
| 4 (Inverter) | | | | | | |
|  m/l' kW | ▶ | | ▶▶ | | ▶▶▶ | |
| | 12.5 | | 22.5 | | 30 | |
| | 1.85 (Inverter) | | | | | |
|  rpm kW | ▶ | | ▶▶ | | ▶▶▶ | |
| | 0.3 | | 0.6 | | 1 | |
| | 1.1 (Inverter) | | | | | |
|  min kW | ▶ | | | | | |
| | 4 | | | | | |
| | 1.5 | | | | | |
|  kg | 4400 + (1800 + 5700) | | | | | |



VANSON VC 15



STANDARD FEATURES

3-speed lifting, rotation and trolley with inverter control, galvanised structure, counterweight, pull-up jib, translation trolley with motor and limit switch at base of gantry, operation with folded jib, cable-operated pushbutton remote control, guard for slewing ring and mechanisms, designed to allow installation of self-ballasting device and radio control, stainless steel electrical cabinet, documentation in accordance with EU standards.

VANSON CRANES LIMITED

Honey Pot Lane, Colsterworth, Grantham, Lincolnshire. NG33 5LY.
Telephone: + 44 (0) 1476 861011 Fax: + 44 (0) 1476 861014
E-mail: sales@vansoncranes.com Website: www.vansoncranes.com

January 2007