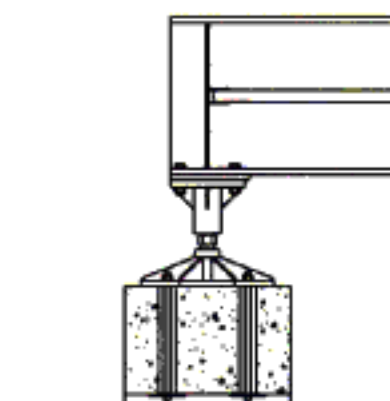
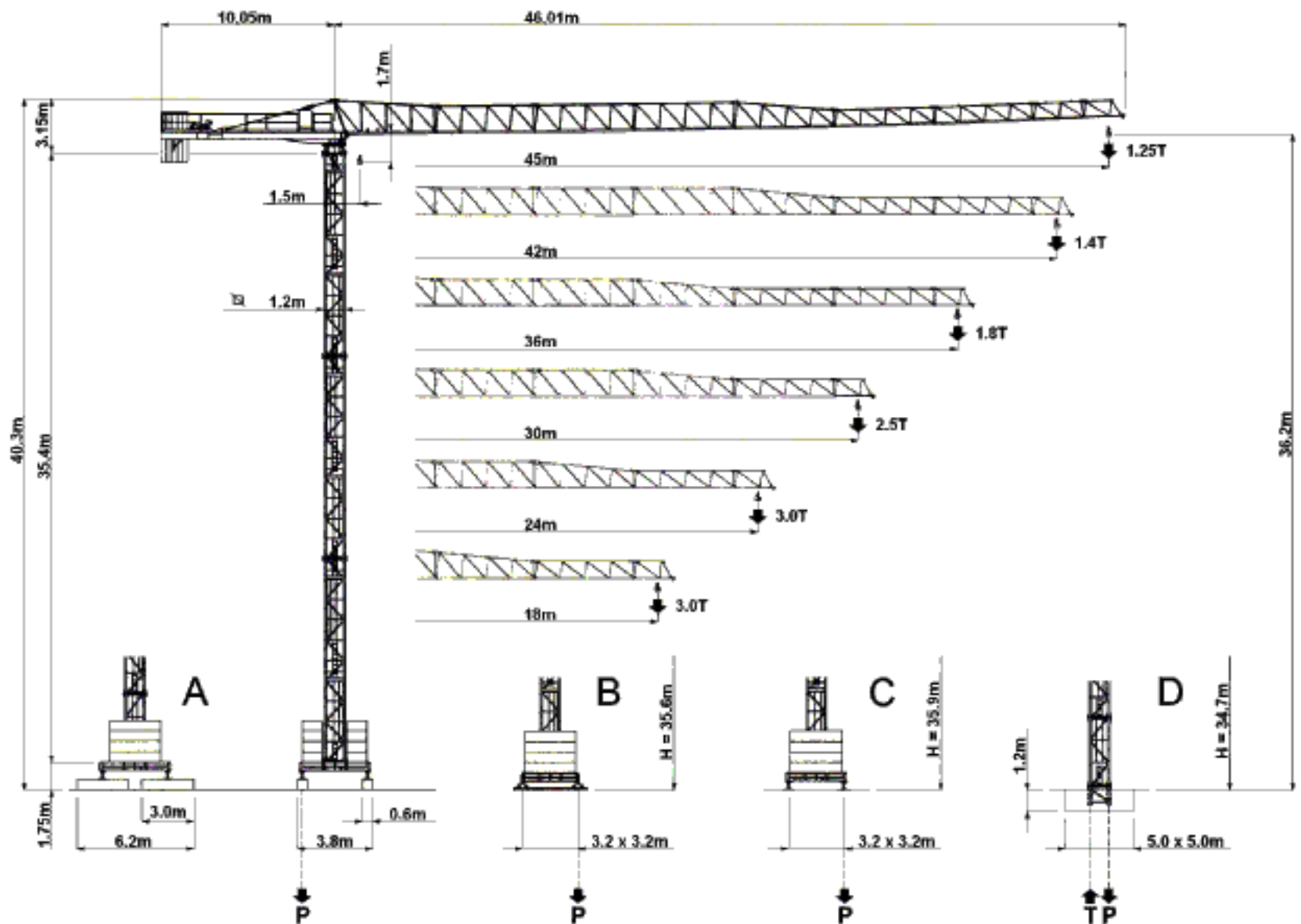


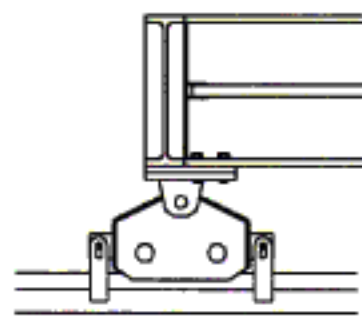
RAIVAN

MR66+3

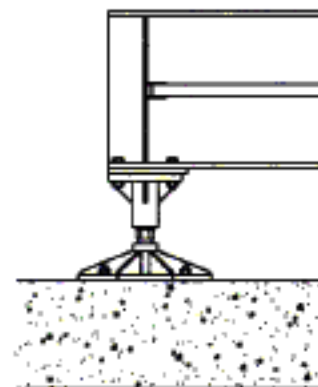
FLAT TOP CITY TOWER CRANE



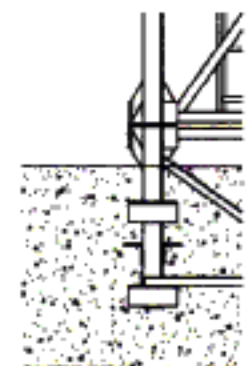
A



B



C










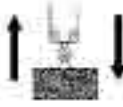


D

RAIVAN MR66+3

FLAT TOP CITY TOWER CRANE

RADIUS AND S.W.L.

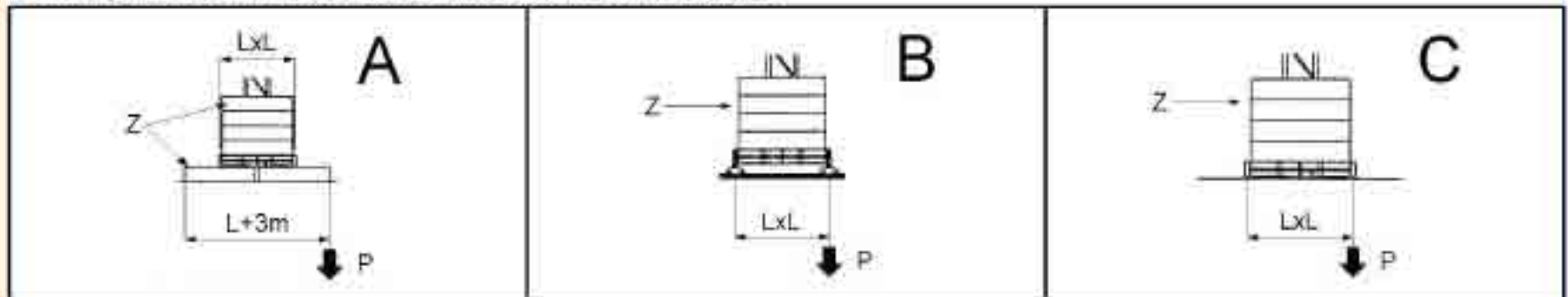
Max s.w.l.		2500kg 				3000kg 				2500  / 5000kg 					
Jib	m	30	36	42	45	30	36	42	45	18	24	30	36	42	45
Max s.w.l. from 1.5m	to	30.0	27.0	25.4	24.8	25.4	22.9	21.6	21.0	15.6	15.5	15.5	14.0	13.2	12.8
Radius (m)	12	2500	2500	2500	2500	3000	3000	3000	3000	5000	5000	5000	5000	5000	5000
	14	2500	2500	2500	2500	3000	3000	3000	3000	5000	5000	5000	4993	4650	4510
	16	2500	2500	2500	2500	3000	3000	3000	3000	4899	4872	4861	4303	4005	3884
	18	2500	2500	2500	2500	3000	3000	3000	3000	4300	4275	4266	3772	3509	3401
	20	2500	2500	2500	2500	3000	3000	3000	3000		3803	3794	3351	3115	3019
	22	2500	2500	2500	2500	3000	3000	2943	2863		3418	3411	3009	2796	2708
	24	2500	2500	2500	2500	3000	2852	2670	2596		3100	3093	2726	2531	2451
	26	2500	2500	2439	2372	2934	2608	2439	2372			2826	2488	2308	2234
	28	2500	2399	2243	2180	2701	2399	2243	2180			2597	2284	2117	2049
	30	2500	2218	2073	2015	2500	2218	2073	2015			2400	2108	1953	1889
	32		2061	1925	1871		2061	1925	1871				1955	1809	1750
	34		1923	1795	1744		1923	1795	1744				1820	1683	1627
	36		1800	1679	1631		1800	1679	1631				1700	1571	1518
	38			1576	1530			1576	1530					1471	1421
	40			1484	1440			1484	1440					1381	1334
42			1400	1359			1400	1359					1300	1255	
45				1250				1250						1150	

		Speed		Power	
Slewing		0.37 / 0.7 / 1.0 m/min		4.0 Kw	
Trolley		28.5 / 57 m/min		1.1 / 2.2 Kw	
Rail		14 m/min		2 x 2.9 Kw	
Winch		Step	Load / speed		
					
Type	15 HP 11 Kw - 2.5	1	2500 kg - 5.2 m/min	-	-
		2	2500 kg - 21 m/min	-	-
		3	1250 kg - 42 m/min	-	-
	25 HP 18.4 Kw - 3	1	3000 kg - 7.5 m/min	-	-
		2	3000 kg - 30 m/min	-	-
		3	1500 kg - 60 m/min	-	-
	25 HP 18.4 Kw - 5	1	2500 kg - 8.8 m/min	5000 kg - 4.4 m/min	-
		2	2500 kg - 35 m/min	5000 kg - 17.5 m/min	-
		3	1250 kg - 70 m/min	2500 kg - 35 m/min	-
	25 HP 18.4 Kw - 3 VF	1	3000 kg - 6 m/min	-	-
		2	3000 kg - 30 m/min	-	-
		3	1500 kg - 60 m/min	-	-
		4	1000 kg - 72 m/min	-	-
	25 HP 18.4 Kw - 6 VF	1	3000 kg - 6 m/min	6000 kg - 3 m/min	-
		2	3000 kg - 30 m/min	6000 kg - 15 m/min	-
		3	1500 kg - 60 m/min	3000 kg - 30 m/min	-
4		1000 kg - 72 m/min	2000 kg - 72 m/min	-	

In compliance with the EEC 84/534 instruction on noise level

Total Installed Power	11 Kw (15 HP)	18.4 Kw (25 HP)
	23 Kw	31 Kw

H.U.H., MAX. BASE BALLAST AND CORNER PRESSURE



ON CROSSBASE

L = 3.8m

H (m)	max. Z (t)	P (kN)	H (m)	max. Z (t)	P (kN)	H (m)	max. Z (t)	P (kN)
40.2	49.5	508	39.8	49.5	497	39.4	49.5	482
36.2	49.5	389	35.8	49.5	385	35.4	49.5	376
30.3	49.5	331	29.9	49.5	333	29.5	49.5	329
24.4	39.6	286	24.0	39.6	288	23.6	39.6	284
18.5	39.6	289	18.1	39.6	271	17.7	39.6	268

ON CROSSBASE

L = 3.2m

H (m)	max. Z (t)	P (kN)	H (m)	max. Z (t)	P (kN)	H (m)	max. Z (t)	P (kN)
36.0	49.5	457	35.6	49.5	444	35.2	49.5	429
30.1	49.5	356	29.7	49.5	357	29.3	49.5	352
24.2	49.5	333	23.8	49.5	334	23.4	49.5	330
18.3	49.5	314	17.9	49.5	305	17.5	49.5	311
12.4	39.6	272	12.0	39.6	272	11.6	39.6	270

STATIONARY

H (m)	17.0	22.9	28.8	34.7	38.7
T (kN)	437	482	535	582	627
P (kN)	332	371	417	454	761
qmax (kg/cm ²)	0.91	0.98	1.08	1.22	1.69

ASSEMBLING SEQUENCE

