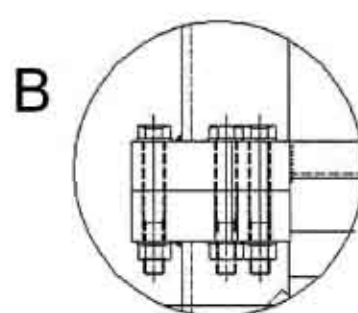
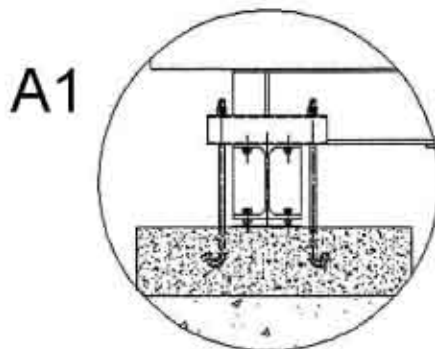
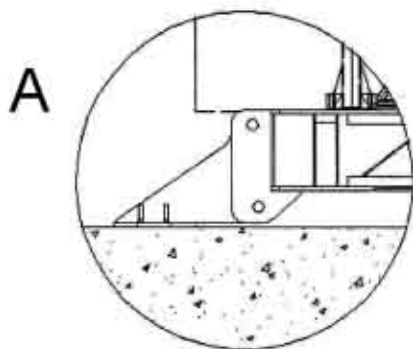
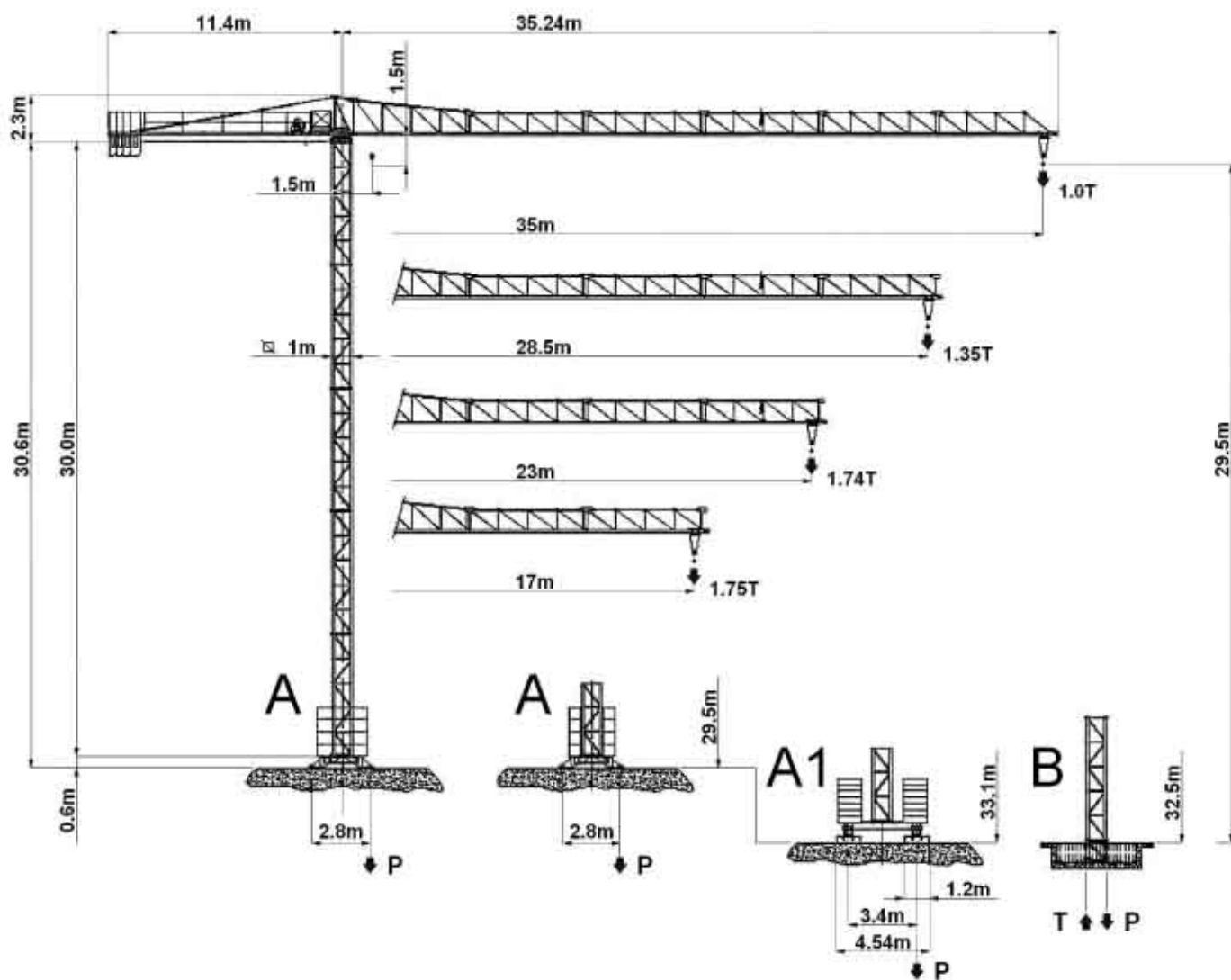


RAIVAN

MR33+3


FLAT TOP CITY TOWER CRANE



RAIVAN MR33+3

FLAT TOP CITY TOWER CRANE

RADIUS AND S.W.L.



Max s.w.l.		1750kg 			
Jib	m	17	23	28.5	35
Max s.w.l. from 1.5m	to	17.0	22.0	22.0	21.0
Radius (m)	5	1750	1750	1750	1750
	7	1750	1750	1750	1750
	9	1750	1750	1750	1750
	11	1750	1750	1750	1750
	13	1750	1750	1750	1750
	15	1750	1750	1750	1750
	17	1750	1750	1750	1750
	19		1750	1750	1750
	21		1750	1750	1750
	23		1740	1673	1589
	25			1528	1451
	27			1405	1333
	28			1350	1281
	31				1145
33				1068	
35				1000	

JIB AND COUNTERWEIGHT

Jib	(m)	17	23	28.5	35
Counterweight	(t)	1.192	2.006	2.820	3.634
Composition	Type	Quantity			
	A 350	-	1	2	3
	B 510	1	1	1	1

H.U.H., MAX. BASE BALLAST AND CORNER PRESSURE

A			A1			B		
H (m)	Z (t)	P (kN)	H (m)	Z (t)	P (kN)	H (m)	T (t)	P (kN)
29.8	32	272	33.5	19.7	282	32.5	41	150
23.8	28	209	29.6	19.7	224	28.9	36	144
17.8	24	183	23.6	11.8	142	22.9	28	137
11.8	24	169	17.6	11.8	123	16.9	7	129

	Speed	Power
	0.38 0.71 r.p.m 1.02	4.0 HP 2.9 HP
	8 m/min 24 m/min	1.5 KW 1.1 KW

Hoisting winch	
Load/Speed	
12 HP - 8.8 KW	
1	1750 kg - 5.5 m/min
2	1750 kg - 22 m/min
3	875 kg - 44 m/min